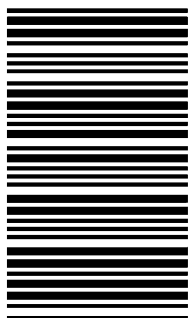


کد کنترل

335

C



335C

آزمون ورودی دوره‌های کارشناسی ارشد ناپیوسته - سال ۱۴۰۴

صبح پنجشنبه

۱۴۰۳/۱۲/۰۲



«علم و تحقیق، کلید پیشرفت کشور است.»
مقام معظم رهبری

جمهوری اسلامی ایران
وزارت علوم، تحقیقات و فناوری
سازمان سنجش آموزش کشور

مهندسی کامپیوتر (کد ۱۲۷۷)

مدت زمان پاسخگویی: ۲۵۰ دقیقه

تعداد سؤال: ۱۱۵ سؤال

عنوان مواد امتحانی، تعداد و شماره سؤال‌ها

ردیف	مواد امتحانی	تعداد سؤال	از شماره	تا شماره
۱	زبان عمومی و تخصصی (انگلیسی)	۲۵	۱	۲۵
۲	ریاضیات (ریاضی عمومی (۱ و ۲)، آمار و احتمال مهندسی، ریاضیات گسسته)	۲۰	۲۶	۴۵
۳	مجموعه دروس تخصصی ۱ (نظریه زبان‌ها و ماشین‌ها، سیگنال‌ها و سیستم‌ها)	۱۰	۴۶	۵۵
۴	مجموعه دروس تخصصی ۲ (ساختمان داده‌ها، طراحی الگوریتم و هوش مصنوعی)	۲۰	۵۶	۷۵
۵	مجموعه دروس تخصصی ۳ (مدار منطقی، معماری کامپیوتر و الکترونیک دیجیتال)	۲۰	۷۶	۹۵
۶	مجموعه دروس تخصصی ۴ (سیستم‌های عامل، شبکه‌های کامپیوتری و پایگاه داده‌ها)	۲۰	۹۶	۱۱۵

این آزمون نمره منفی دارد.

استفاده از ماشین حساب مجاز نیست.

حق چاپ، تکثیر و انتشار سؤالات به هر روش (الکترونیکی و...) پس از برگزاری آزمون، برای تمامی اشخاص حقیقی و حقوقی تنها با مجوز این سازمان مجاز می‌باشد و با متخلفین برابر مقررات رفتار می‌شود.

* داوطلب گرامی، عدم درج مشخصات و امضا در مندرجات کادر زیر، به منزله عدم حضور شما در جلسه آزمون است.

اینجانب با شماره داوطلبی با آگاهی کامل، یکسان بودن شماره صندلی خود با شماره داوطلبی مندرج در بالای کارت ورود به جلسه، بالای پاسخنامه و دفترچه سؤالات، نوع و کد کنترل درج شده بر روی جلد دفترچه سؤالات و پایین پاسخنامه ام را تأیید می‌نمایم.

امضا:

زبان عمومی و تخصصی (انگلیسی):

PART A: Vocabulary

Directions: Choose the word or phrase (1), (2), (3), or (4) that best completes each sentence. Then mark the answer on your answer sheet.

- 1- One theory holds that humans became highly because evolution selected those of our forefathers who were especially good at solving problems.
1) successive 2) concerned 3) passionate 4) intelligent
- 2- Is it true that the greenhouse, the feared heating of the earth's atmosphere by burning coal and oil, is just another false alarm?
1) effect 2) energy 3) force 4) warmth
- 3- In most people, the charitable and motives operate in some reasonable kind of balance.
1) obvious 2) high 3) selfish 4) prime
- 4- Whatever the immediate of the Nigerian-led intervention, West African diplomats said the long-term impact of recent events in Sierra Leone would be disastrous.
1) reciprocity 2) outcome 3) reversal 4) meditation
- 5- The last thing I would wish to do is to a sense of ill will, deception or animosity in an otherwise idyllic environment.
1) postpone 2) accuse 3) foster 4) divest
- 6- While the movie offers unsurpassed action, script makes this the least of the three "Die Hards."
1) an auspicious 2) a stirring 3) an edifying 4) a feeble
- 7- Relations between Communist China and the Soviet Union have unfortunately begun to again after a period of relative restraint in their ideological quarrel. We can only hope that common sense prevails again.
1) ameliorate 2) deteriorate 3) solemnize 4) petrify

PART B: Cloze Test

Directions: Read the following passage and decide which choice (1), (2), (3), or (4) best fits each space. Then mark the correct choice on your answer sheet.

Before the 1970s, the Olympic Games were officially limited to competitors with amateur status, but in the 1980s, many events(8) to professional athletes.

Currently, the Games are open to all, even the top professional athletes in basketball and football. The ancient Olympic Games included several of the sports(9) of the Summer Games program, which at times has included events in as many as 32 different sports. In 1924, the Winter Games were sanctioned for winter sports.(10) regarded as the world's foremost sports competition.

- 8- 1) to be opened 2) that were opening
3) were opened 4) opening
- 9- 1) that are now part 2) which now being part
3) now are parts 4) had now been parts
- 10- 1) The Olympic Games came to have been
2) The Olympic Games have come to be
3) The fact is the Olympic Games to be
4) That the Olympic Games have been

PART C: Reading Comprehension

Directions: Read the following three passages and answer the questions by choosing the best choice (1), (2), (3), or (4). Then mark the correct choice on your answer sheet.

PASSAGE 1:

The emergence of computers and the Internet is among the most technological advances that has happened in the twentieth century. Individuals have gained greater access to information of all sorts, and the gap that exists between technology and human intellect is getting thinner. As societies utilize the technology in various fields, some new ethical concerns have arisen. Extensive use of the technology has also made possible potentially unethical activities such as violation of individual privacy and other illegal forays into private network spaces. Not all network users are honest individuals, and not all of them adhere to ethical standards of moral behavior.

Some computer users keep a large amount of their personal information on their computer systems or on the network spaces in social media. The use of social media is on the rise. As a result of this, hackers and other intruders have a greater opportunity to access private data, and use them for unlawful purposes. These concerns contributed to the rise of a field known as computer ethics which deals with the procedures, values and practices that govern the process of consuming computing technology and its related disciplines in a way that does not damage or violate the moral values and beliefs of any individual, organization or society.

- 11- The underlined word “utilize” in paragraph 1 is closest in meaning to
1) produce 2) improve
3) employ 4) analyze
- 12- The underlined word “them” in paragraph 1 refers to
1) standards 2) network spaces
3) activities 4) network users

- 13- According to paragraph 1, the appearance of the computer technology and the internet in the 20th century
- 1) fully closed the gap that once existed between technology and human intellect
 - 2) in a way resulted in some new questions about their ethical dimensions
 - 3) increased the gap between ethical and unethical usage of data
 - 4) prevented any opportunity of unethical usage of private data
- 14- All of the following words are mentioned in the passage EXCEPT
- 1) unlawful
 - 2) moral
 - 3) cutting-edge
 - 4) honest
- 15- According to the passage, which of the following statements is true?
- 1) Computer ethics was in part developed as a response to the threat posed by hackers and other intruders who do not follow ethical standards.
 - 2) Extensive use of the technology has decreased the risk of potentially unethical activities such as violation of individual privacy.
 - 3) Hackers utilize computer ethics as an opportunity to employ computing technology and its related disciplines to their own advantage.
 - 4) Computer ethics concerns the practices that govern the production of computer units in a way that does not damage the best interest either of corporations or of consumers.

PASSAGE 2:

The first “computers” were ancient tools that were used to do addition, subtraction, multiplication, and division. Some early examples of this would be the ancient Chinese invention known as the abacus. These older tools were in a sense computers because they did what modern computers do: take information and turn it into logical operations. Logical operations are instructions that someone gives a computer and tells it what to do. Older tools still required humans to do things to make them work. But modern computers use power and can be programmed to do things automatically.

The first computer, as we would think of one today, was created in 1823 by a man named Charles Babbage in England. Charles Babbage invented all the parts that are now used for a modern computer. He called the machine he was working on the “Difference Engine” but unfortunately he never finished it. Ten years later, another man named George Scheutz read about the “Difference Engine” and was excited about what Babbage had been working on. Together with his son Edward, Scheutz began to work on a smaller version. Twenty years later, by 1853, the father and son had constructed a machine that could process 15-digit numbers and calculate fourth-order differences. This was very advanced programming for a machine at that time. Their machine won a gold medal at the Exhibition of Paris in 1855, and later they sold it to the Dudley Observatory in Albany, New York. The Dudley Observatory later used it to calculate the path to the planet Mars.

- 16- The underlined word “required” in paragraph 1 is closest in meaning to
- 1) acted up
 - 2) assisted
 - 3) empowered
 - 4) relied on
- 17- The invention known as the abacus was probably a
- 1) device
 - 2) formula
 - 3) game
 - 4) sub-discipline

- 18- According to paragraph 1,
- 1) the Chinese were the first people to discover mathematical laws
 - 2) early computers were able to do simple mathematical operations
 - 3) unlike older tools, modern computers do not require logical operations
 - 4) logical operations refer to a unique approach to manufacturing computers
- 19- According to paragraph 2, which of the following statements is true?
- 1) George Scheutz coined the term "Difference Engine" in 1853.
 - 2) George Scheutz's machine was used for astronomical calculations.
 - 3) Babbage invented the first modern computer at the beginning of the 18th century.
 - 4) Babbage won the gold medal at the Exhibition of Paris for his "Difference Engine."
- 20- The passage provides sufficient information to answer which of the following questions?
- I. In which country was the first computer as we think of it produced?**
- II. In what sense were older tools similar to computers?**
- III. How long is the distance to the planet Mars?**
- 1) Only I 2) Only II 3) I and III 4) I and II

PASSAGE 3:

Quantum computation is a field of much interest and activity. Much of the interest was stimulated by Shor's discovery that there is a quantum computation algorithm for the integer factoring problem that is more efficient than any known classical algorithm. [1] This result has stimulated much work that represents steps in the long-term goal of physical construction of quantum computers. This includes work on quantum error-correction codes and physical models of quantum gates, quantum Hall systems, and nuclear magnetic resonance to carry out parallel quantum computation.

The optimism about reaching the long-term goal that is implicit in this work is tempered by the work of Landauer. [2] As a critic, Landauer correctly points out the enormous obstacles in the path of construction of efficient quantum computers. These include effects of environmental noise with respect to which quantum computers are exquisitely sensitive, errors in constructing the Hamiltonian, and errors in constructing the initial state. As Landauer notes, these errors can cause unwanted reflections of the computational process that reduce the amplitude of the transmitted component that represents the completed computation. Work in which potential barriers causing reflection are introduced intentionally where the potential distribution is 'deterministically disordered', suggests that in some cases, these problems may be less severe than otherwise thought.

Building quantum computers is incredibly difficult. Many candidate qubit systems exist on the scale of single atoms, and the physicists, engineers, and materials scientists who are trying to execute quantum operations on these systems constantly deal with two competing requirements. [3] First, qubits need to be protected from the environment because it can destroy the delicate quantum states needed for computation. The longer a qubit survives in its desired state the longer its "coherence time." From this perspective, isolation is prized. Second, however, for algorithm execution qubits need to be entangled, shuffled around physical architectures, and controllable on demand. The better these operations can be carried out the higher their "fidelity." [4]

- 21- Which of the following techniques is used in paragraph 1?
 1) Definition 2) Statistics
 3) Cause and effect 4) Rhetorical question
- 22- According to paragraph 2, which of the following is true about Landauer?
 1) His ideas ultimately led to solutions for many of the problems of quantum computation.
 2) His work highlighted the challenges facing the construction of efficient quantum computers.
 3) He later admitted that the challenges facing quantum computation were negligible.
 4) He drew attention to the impossibility of constructing quantum computers.
- 23- What does paragraph 3 mainly discuss?
 1) The difficulty of constructing quantum computers
 2) Competing models of computation using quantum technology
 3) The last challenge to overcome in building quantum computers
 4) Qubit efficiency and a ground-breaking solution to its optimum realization
- 24- According to the passage, which of the following statements is true?
 1) Quantum computers are particularly versatile because qubits are highly robust and efficient in diverse environmental conditions.
 2) Shor's ideas about different computational methods were highly influential in the development of early traditional computers.
 3) In quantum computers, qubits must be rearranged across physical architectures, and controllable as needed for algorithms to work.
 4) Landauer was a computer manufacturer who identified many problems in the field, and his ideas paved the way for transition from classical to quantum computation.
- 25- In which position marked by [1], [2], [3] or [4], can the following sentence best be inserted in the passage?
Balancing the required isolation and interaction is difficult, but after decades of research a few systems are emerging as top candidates for large-scale quantum information processing.
 1) [4] 2) [3] 3) [2] 4) [1]

ریاضیات (ریاضی عمومی (۱ و ۲)، آمار و احتمال مهندسی، ریاضیات گسسته):

۲۶- سری $\sum_{n=1}^{\infty} (-1)^n \ln \frac{n}{n+2}$ به کدام عدد، همگرا است؟

(۱) $\ln 5$

(۲) $2 \ln 2$

(۳) $\ln 3$

(۴) $\ln 2$

۲۷- مساحت ناحیه محصور به منحنی $(x^2 + y^2)^2 = a^2(x^2 - y^2)$ ، $a > 0$ ، کدام است؟

(۱) $\frac{a^2}{2}$

(۲) a^2

(۳) $2a^2$

(۴) $4a^2$

۲۸- فرض کنید مقدار $\frac{dz}{dy}$ در نقطه $(1, 1, 0)$ واقع بر منحنی $\vec{r}(y) = (x(y), y, z(y))$ ،

$$\begin{cases} x^2 + y^3 \sin z + y = 2 \\ 2x^3 yz - y^2 e^z + 1 = 0 \end{cases}$$

کدام است؟

(۱) ۲

(۲) $\frac{1}{2}$

(۳) صفر

(۴) -۲

۲۹- مقدار $\lim_{x \rightarrow 0} \frac{\int_{x^2}^{x^3} e^{2t} (3t+1)^{\frac{1}{2}} dt}{x^2 e^{2x}}$ ، کدام است؟

(۱) -۱

(۲) صفر

(۳) ۱

(۴) $+\infty$

۳۰- مساحت روبه حاصل از دوران خم $x = e^t \cos t$ و $y = e^t \sin t$ در بازه $\left[0, \frac{\pi}{2}\right]$ حول محور x کدام است؟

(۱) $\frac{\sqrt{2}\pi}{5} (e^{\frac{\pi}{2}} + 1)$

(۲) $\frac{\sqrt{2}\pi}{5} (e^{\pi} + 1)$

(۳) $\frac{2\sqrt{2}}{5} (2e^{\frac{\pi}{2}} + 1)$

(۴) $\frac{2\sqrt{2}\pi(2e^{\pi} + 1)}{5}$

۳۱- حجم متناهی ناحیه محصور به سطح $z = \ln \sqrt{x^2 + y^2}$ و استوانه $x^2 + y^2 = 1$ ، زیر صفحه $z = 1$ ، کدام است؟

(۱) $\frac{\pi}{2}$

(۲) π

(۳) $\frac{5\pi}{4}$

(۴) $\frac{3\pi}{2}$

۳۲- میدان برداری $\vec{F}(x, y, z) = 2\vec{i} - \vec{j} + 4\vec{k}$ را در نظر بگیرید. اگر S سطح نیمه بالایی چنبره $0 \leq u \leq \pi, 0 \leq v \leq 2\pi$ و $\iint_S \vec{F} \cdot d\vec{S}$ مقدار $((1 + 2 \cos u) \cos v, (1 + 2 \cos u) \sin v, \sin u)$ باشد، آنگاه مقدار $\iint_S \vec{F} \cdot d\vec{S}$ ، کدام است؟

- (۱) صفر
(۲) 16π
(۳) 32π
(۴) 64π

۳۳- اطلاعات زیر، برای یک مجموعه داده حاصل شده است. چه تعداد نقاط دورافتاده در این مجموعه است؟

نقاط بزرگ تر از چارک سوم	چارک سوم	میان	چارک اول	نقاط کمتر از چارک اول
۲۸, ۳۰, ۳۱	۲۱,۵	۲۰	۱۵,۵	۷, ۹, ۱۰

(۱) ۰
(۲) ۱
(۳) ۲
(۴) ۳

۳۴- یک فروشگاه سه برند مختلف A، B و C از یک کالا را می‌فروشد. تابع احتمال خرید هر یک از برندها در جدول زیر آمده است. احتمال این که دو مشتری برند C را خریداری کنند و احتمال این که دقیقاً یکی از آنها برند C را خریداری کند، به ترتیب کدام است؟

برند	A	B	C
احتمال	۰/۱۵	۰/۶۵	۰/۲

(۱) $0/32$ و $0/04$
(۲) $0/16$ و $0/04$
(۳) $0/32$ و $0/4$
(۴) $0/16$ و $0/4$

۳۵- یک سیستم امنیتی کامپیوتری با احتمال $0/02$ حملات غیرواقعی را واقعی و با احتمال $0/01$ حملات واقعی را غیرواقعی تشخیص می‌دهد. اگر $0/1\%$ از کل درخواست‌های ورودی، حملات واقعی باشند، احتمال این که حمله تشخیص داده شده واقعی باشد، کدام است؟

- (۱) $0/001$
(۲) $0/023$
(۳) $0/047$
(۴) $0/056$

۳۶- فرض کنید X_1 و X_2 متغیرهای تصادفی مستقل و دارای توزیع نمایی با میانگین ۴ باشند. اگر $Y = \max(X_1, X_2)$ آنگاه $E(Y)$ کدام است؟

- (۱) ۲
(۲) ۴
(۳) ۶
(۴) ۱۲

۳۷- یک شرکت نرم‌افزاری، زمان پردازش یک الگوریتم را اندازه‌گیری می‌کند. در یک نمونه ۳۶ تایی، میانگین زمان پردازش $\bar{x} = ۷۲$ میلی ثانیه و انحراف معیار $s = ۸$ میلی ثانیه است. فاصله اطمینان ۹۵٪ برای میانگین واقعی زمان پردازش کدام است؟ (عدد جدول را ۱/۹۶ در نظر بگیرید.)

(۱) $(۶۹/۴۹$ و $۷۳/۵۳)$

(۲) $(۷۰/۴۷$ و $۷۳/۵۳)$

(۳) $(۷۱/۴۸$ و $۷۲/۵۲)$

(۴) $(۶۹/۳۹$ و $۷۴/۶۱)$

۳۸- فرض کنید متغیر تصادفی X دارای توزیع زیر باشد. می‌خواهیم آزمون $H_0: \theta = ۵$ را در مقابل $H_1: \theta = ۲$ انجام دهیم. اگر $x < ۰/۳$ مشاهده شود، فرض H_0 رد می‌شود. خطای نوع اول و توان آزمون به ترتیب کدام هستند؟

$$f_x(x) = \theta x^{\theta-1}, \quad 0 < x < 1, \quad \theta > 0$$

(۱) $(۰/۳)^۲$ و $(۰/۳)^۵$

(۲) $(۰/۳)^۲$ و $۱ - (۰/۳)^۵$

(۳) $۱ - (۰/۳)^۲$ و $(۰/۳)^۵$

(۴) $۱ - (۰/۳)^۲$ و $۱ - (۰/۳)^۵$

۳۹- یک تیم مهندسی قصد دارد زمان تکمیل پروژه‌ای را با استفاده از یک مدل رگرسیون پیش‌بینی کند. مدل رگرسیونی زیر برازش داده شده است.

$$y = ۱۲۰ - ۴x_1 + ۰/۰۵x_2 - ۸x_3$$

که در آن، y زمان تکمیل پروژه (برحسب روز)، x_1 تعداد اعضای تیم، x_2 خطوط کد (برحسب هزار خط) و x_3 تجربه تیم (برحسب سال) است. کدام مورد در خصوص هر ضریب با فرض ثابت بودن سایر ضرایب، درست نیست؟

(۱) با افزایش هر سال تجربه تیم، زمان تکمیل پروژه ۸ روز کاهش می‌یابد.

(۲) افزایش ۱۰۰۰ خط کد به پروژه، زمان تکمیل پروژه را تغییر نمی‌دهد.

(۳) افزایش یک واحد در تعداد اعضای تیم، زمان پروژه را ۴ روز کاهش می‌دهد.

(۴) افزایش ۶۰۰۰۰ خط کد به پروژه، زمان تکمیل پروژه را ۳ روز افزایش می‌دهد.

۴۰- در قطعه برنامه زیر، دستور $x++$ چند بار اجرا می‌شود؟

$x = 0;$

for($i = 1; i \leq n; i++$)

for($j = 1; j \leq i; j++$)

for($k = 1; k \leq j; k++$)

for($t = 1; t \leq k; t++$)

$x++;$

(۲) $\binom{n+4}{3}$

(۱) $\binom{n+2}{3}$

(۴) $\sum_{i=1}^n \sum_{j=1}^i \sum_{k=1}^j \sum_{t=1}^k x$

(۳) $\binom{n+3}{4}$

۴۱- در یک شبکه کامپیوتری ۷ نود (گره) داریم و می‌خواهیم ۱۲ بسته داده را بین این نودها توزیع کنیم به طوری که هر نود، حداقل ۱ بسته داده دریافت کند، چند روش مختلف برای توزیع بسته‌ها به نودها وجود دارد؟

$$(1) \begin{pmatrix} 11 \\ 5 \end{pmatrix} \quad (2) \begin{pmatrix} 12 \\ 5 \end{pmatrix}$$

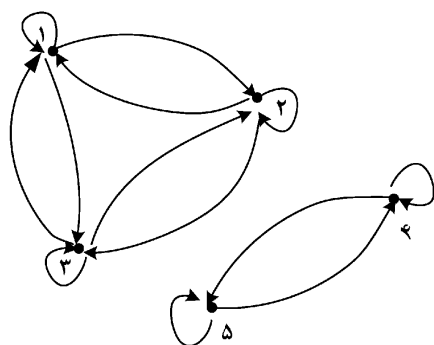
$$(3) \begin{pmatrix} 12 \\ 7 \end{pmatrix} \quad (4) \begin{pmatrix} 18 \\ 7 \end{pmatrix}$$

۴۲- نقیض گزاره زیر چیست؟

اگر آن ترک شیرازی به دست آورد دل ما را
به خال هندویش بخشم سمرقند و بخارا را

- (۱) ترک شیرازی دل ما را به دست می‌آورد و به خال هندویش سمرقند و بخارا را نمی‌بخشم.
(۲) ترک شیرازی دل ما را به دست می‌آورد و به خال هندویش سمرقند یا بخارا را نمی‌بخشم.
(۳) اگر به خال هندوی ترک شیرازی سمرقند و بخارا را ببخشم آنگاه دل ما را به دست می‌آورد.
(۴) ترک شیرازی دل ما را به دست نمی‌آورد و به خال هندویش سمرقند و بخارا را نمی‌بخشم.

۴۳- فرض کنید $A = \{1, 2, 3, 4, 5\}$ و R یک رابطه روی A باشد که با گراف جهت‌دار زیر نشان داده شده است.



کدام مورد در خصوص R صحیح است؟

(چنانچه یالی از گره i به گره j وجود داشته باشد i با j رابطه R دارد.)

- (۱) R خاصیت پاد تقارنی دارد.
(۲) R یک رابطه هم‌ارزی است.
(۳) R یک رابطه ترتیب است.
(۴) R خاصیت تعدی ندارد.

۴۴- اگر $f(x)$ تابع مولد معمولی دنباله $\{n!\}$ باشد، تابع مولد معمولی دنباله $\{n(n!)\}$ کدام است؟

$$(1) x \int f(x) \quad (2) xf(x)$$

$$(3) \frac{f(x)}{x} \quad (4) xf'(x)$$

$$a_n = n a_{n-1} + n!, \quad a_1 = 1$$

۴۵- جواب رابطه بازگشتی روبه‌رو، کدام است؟

$$(1) n(n!) \quad (2) n$$

$$(3) n^2 - 1 + 2^{n-1} \quad (4) n! 2^{n-1}$$

مجموعه دروس تخصصی ۱ (نظریه زبان‌ها و ماشین‌ها، سیگنال‌ها و سیستم‌ها):

۴۶- کدام یک از زبان‌های زیر، منظم است؟

$$L = \{a^n b^m c^n d^{\sqrt{n}} \mid n + m > 5, n, m, k, t > 0\} \quad (۱)$$

$$L = \{a^n b^t c^k d^t \mid n + 2t + k > 5, n, m, k, t > 0\} \quad (۲)$$

$$L = \{a^n b^m c^k d^t \mid n + m + k + t > 5, n, m, k, t > 0\} \quad (۳)$$

$$L = \{a^n b^m c^k d^m \mid n + 2m + k > 5, n, m, k, t > 0\} \quad (۴)$$

۴۷- زبان کدام یک از عبارات منظم زیر، با بقیه فرق دارد؟

$$(۱) (0 + \epsilon)(1 + 10)^*$$

$$(۲) (0 + \epsilon)(11 + 10)^*$$

$$(۳) (1 + 01)^*(0 + \epsilon)$$

$$(۴) (0 + \epsilon)(11^*0)^*1^*$$

۴۸- در خصوص گرامر مستقل از متن زیر، کدام مورد درست است؟

$$S \rightarrow A0 \mid S1 \mid 1$$

$$A \rightarrow 1S \mid 1A \mid 0$$

(۱) گرامر در تولید رشته 1111 ابهام دارد.

(۲) گرامر در تولید رشته 1101 ابهام دارد.

(۳) گرامر در تولید رشته 1110 ابهام دارد.

(۴) این گرامر مبهم نیست.

۴۹- فرض کنیم L_1, L_2 و L_3 سه زبان مستقل از متن دلخواه باشند. آنگاه کدام مورد زیر درست است؟ (منظور از L' متمم مجموعه‌ای L است.)

(۱) زبان $L_1.(L_2 \cup L_3)$ حتماً مستقل از متن است.

(۲) زبان $L_1.(L_2 \cup L_3)$ حتماً مستقل از متن نیست.

(۳) زبان $L'_1.(L_2 \cup L_3)$ حتماً مستقل از متن است.

(۴) زبان $L'_1.(L_2 \cup L_3)$ حتماً مستقل از متن نیست.

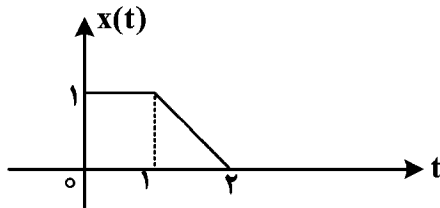
۵۰- کدام یک از مسائل زیر، در مورد یک اتوماتون پشت‌های غیرقطعی (NPDA) دلخواه به نام M ، تصمیم‌پذیر (decidable) است؟

(۱) زبان اتوماتون M ، توسط یک گرامر مستقل از متن نامبهم تشخیص داده می‌شود.

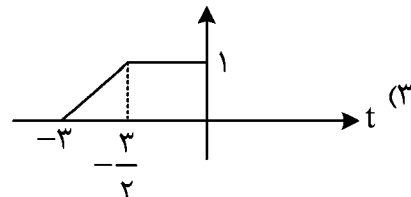
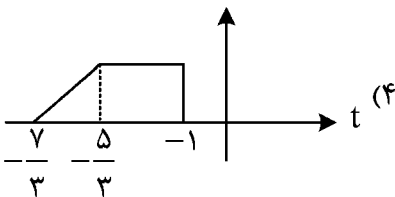
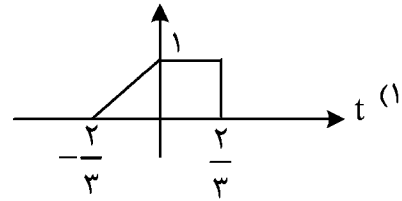
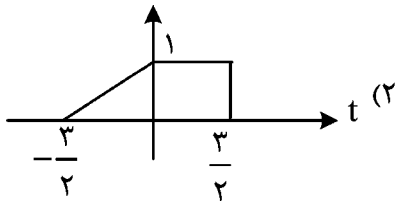
(۲) زبان اتوماتون M ، برابر زبان یک گرامر مستقل از متن دلخواه است.

(۳) زبان اتوماتون M ، دارای بی‌نهایت رشته است.

(۴) زبان اتوماتون M ، برابر Σ^* است.



۵۱- سیگنال $x(t)$ داده شده است. $x(\frac{-3}{2}t + 1)$ کدام است؟



۵۲- رابطه ورودی و خروجی یک سیستم، به صورت زیر است. در مورد این سیستم، کدام مورد درست است؟

(ω_0 یک عدد حقیقی است.)

$$y(t) = (\sin \omega_0 t) x\left(\frac{t}{2}\right)$$

(۱) سیستم علی و تغییرپذیر با زمان است.

(۲) سیستم علی و تغییرناپذیر با زمان است.

(۳) سیستم غیرعلی و تغییرپذیر با زمان است.

(۴) سیستم غیرعلی و تغییرناپذیر با زمان است.

۵۳- اگر تبدیل فوریه دو سیگنال $x(t)$ و $y(t)$ را به ترتیب $X(j\omega)$ و $Y(j\omega)$ بنامیم، آنگاه مقدار سیگنال $z(t) = x(t) * y(t)$

در $t = 0$ کدام است؟ (* علامت کانولوشن و † علامت مزدوج است.)

$$\left[X(j\omega) y^\dagger(j\omega) \right]_{\omega=0} \quad (2)$$

$$\left[X(j\omega) Y(j\omega) \right]_{\omega=0} \quad (1)$$

$$\frac{1}{2\pi} \int_{-\infty}^{\infty} X(j\omega) Y(j\omega) d\omega \quad (4)$$

$$\frac{1}{2\pi} \int_{-\infty}^{\infty} X(j\omega) y^\dagger(j\omega) d\omega \quad (3)$$

۵۴- اطلاعات زیر، در مورد سیگنال حقیقی $x(t)$ با تبدیل لاپلاس $X(s)$ داده شده است.

۱- $X(s)$ دقیقاً دو قطب دارد.

۲- $X(s)$ هیچ صفر گرانداری در صفحه s ندارد.

۳- $X(s)$ یک قطب در $s = -1 + j$ دارد.

۴- $e^{2t}x(t)$ یک سیگنال مطلقاً انتگرال پذیر نیست (تبدیل فوریه ندارد).

$$X(0) = 8 \quad (5)$$

$X(s)$ و ناحیه همگرایی آن کدام است؟

$$X(s) = \frac{16}{s^2 + 2s + 2} \quad \text{و} \quad \text{Re}\{s\} < -1 \quad (2)$$

$$X(s) = \frac{16}{s^2 + 2s + 2} \quad \text{و} \quad \text{Re}\{s\} > -1 \quad (1)$$

$$X(s) = \frac{16}{s^2 - 2s + 2} \quad \text{و} \quad \text{Re}\{s\} < -1 \quad (4)$$

$$X(s) = \frac{16}{s^2 - 2s + 2} \quad \text{و} \quad \text{Re}\{s\} > -1 \quad (3)$$

۵۵- تبدیل فوریه سیگنال $\left(\frac{1}{3}\right)^{|n|}$ کدام است؟

$$\begin{array}{ll} \frac{4}{5-3\cos(\omega)} & (۲) \\ \frac{3}{4-5\cos\omega} & (۴) \end{array} \quad \begin{array}{ll} \frac{4}{3-5\cos\omega} & (۱) \\ \frac{3}{5-4\cos\omega} & (۳) \end{array}$$

مجموعه دروس تخصصی ۲ (ساختمان داده‌ها، طراحی الگوریتم و هوش مصنوعی):

۵۶- فرض کنید $T(x) = 2T\left(\frac{x}{2}\right) + \frac{1}{9}T\left(\frac{3x}{4}\right) + \theta\left(\frac{x^2}{\log x}\right)$. در این صورت کدام مورد درست است؟

$$T(x) = \theta(x^2 \log x) \quad (۱)$$

$$T(x) = \theta\left(\frac{x^2}{\log x}\right) \quad (۲)$$

$$T(x) = \theta(x^2 \log(\log x)) \quad (۳)$$

$$T(x) = \theta(2 \log x - \log(\log x)) \quad (۴)$$

۵۷- دنباله $A[1..n]$ یک دنباله دوآهنگی (Bitonic) است. بدین معنی که هرگاه عناصر دنباله را به ترتیب دور یک دایره بنشانیم، یک عنصر یافت می‌شود که دنباله عناصر بعدی ابتدا صعودی و سپس نزولی هستند. بهترین زمان برای مرتب‌سازی یک دنباله دوآهنگی، کدام مورد است؟

$$O(n\sqrt{n}) \quad (۲) \quad O(n \log n) \quad (۱)$$

$$O(n) \quad (۴) \quad O(n^2) \quad (۳)$$

۵۸- فرض کنید می‌خواهیم تمام زیردنباله‌های یک دنباله داده‌شده را با استفاده از روش عقب‌گرد بررسی کنیم. اگر طول دنباله n باشد، پیچیدگی زمانی این روش چیست؟

$$O(n^2) \quad (۲) \quad O(2^n) \quad (۱)$$

$$O(\log n) \quad (۴) \quad O(n!) \quad (۳)$$

۵۹- فرض کنید مسئله‌ای به نام انتخاب پروژه‌های با بیشترین سود (Maximum Profit Project Selection) داریم. در این مسئله، تعدادی پروژه وجود دارد که در آن پروژه i دارای سود P_i و مدت‌زمان d_i است. تنها تعداد مشخصی از پروژه‌ها را می‌توان به‌طور هم‌زمان انجام داد و کل مدت‌زمان انجام پروژه‌ها نباید از T بیشتر شود. هدف این است که بیشترین سود ممکن را از بین پروژه‌های انتخاب‌شده به‌دست آوریم. می‌خواهیم از الگوریتم شاخه و حد (Branch and Bound) برای حل این مسئله استفاده کنیم. کدام‌یک از روش‌های زیر، مناسب‌ترین روش برای تعیین حد بالا (Upper Bound) در هر گره است تا به سرعت شاخه‌های غیرممکن یا کم‌بازده حذف شوند؟

(۱) استفاده از میانگین سود پروژه‌های باقی‌مانده و افزودن آن به سود فعلی در گره فعلی به‌عنوان حد بالا

(۲) استفاده از بیشترین سود در پروژه‌های باقی‌مانده و افزودن آن به سود فعلی در گره فعلی به‌عنوان حد بالا

(۳) استفاده از مجموع سود تمامی پروژه‌های باقی‌مانده و افزودن آن به سود فعلی در گره فعلی به‌عنوان حد بالا

(۴) انتخاب پروژه‌ها به‌صورت حریصانه، براساس بیشترین نسبت سود به مدت‌زمان و افزودن آنها تا زمانی که زمان کل از T فراتر نرود و سپس در نظر گرفتن نتیجه به‌عنوان حد بالا

۶۰- در الگوریتم مرتب‌سازی Insertion Sort اگر برای جستجوی مکان مناسب عنصر جاری به جای جستجوی خطی از جستجوی دودویی استفاده کنیم، کدام مورد زیر در خصوص پیچیدگی زمانی آن در بدترین حالت درست است؟

(۱) به $O(n \log n)$ کاهش می‌یابد. (۲) همچنان $O(n^2)$ باقی می‌ماند.

(۳) به $O(\log n)$ کاهش می‌یابد. (۴) به $O(n)$ کاهش می‌یابد.

۶۱- فرض کنید می‌خواهید از میان دنباله‌ای از اعداد صحیح غیرمنفی تعدادی را انتخاب کنید به گونه‌ای که به بیشترین مجموع دست یابید، با این شرط که نمی‌توانید دو عنصر متوالی را انتخاب کنید. به عبارت دیگر، هر عددی که انتخاب می‌شود، عدد بعد از آن در دنباله نمی‌تواند انتخاب شود. کدام مورد، مناسب‌ترین روش با کمترین پیچیدگی زمانی برای حل این مسئله است؟

(۱) استفاده از الگوریتم بازگشتی به همراه حافظه‌گذاری (Memorization) برای ذخیره نتایج زیرمسئله‌ها و جلوگیری از محاسبه مجدد آنها

(۲) استفاده از الگوریتم پویا (Dynamic Programming) که به صورت تکراری مقدار بهینه را از سمت چپ به راست محاسبه می‌کند.

(۳) استفاده از الگوریتم تقسیم و حل (Divide and Conquer) برای تقسیم مسئله به زیرمسئله‌های کوچک‌تر

(۴) استفاده از الگوریتم جستجوی کامل (Brute Force) که تمام ترکیب‌های ممکن را بررسی می‌کند.

۶۲- فرض کنید برای حل مسئله پوشش حداکثر (maximum Coverage)، از الگوریتم حریصانه استفاده می‌کنید که مجموعه‌ای از عناصر را با کمترین هزینه ممکن پوشش دهد. چرا این الگوریتم نمی‌تواند جواب بهینه را تضمین کند؟

(۱) الگوریتم حریصانه همیشه انتخاب محلی بهینه دارد، اما ممکن است در سطح کلان بهترین نباشد.

(۲) مسئله پوشش حداکثر یک مسئله NP-کامل است و نیاز به حل دقیق دارد.

(۳) تمام راه‌حل‌های ممکن را بررسی نمی‌کند.

(۴) پیچیدگی زمانی آن بالا است.

۶۳- چند گزاره از گزاره‌های زیر درست است؟

- هر الگوریتم قطعی که n کلید متمایز را فقط با مقایسه کلیدها مرتب‌سازی می‌کند، باید در بدترین حالت حداقل $\lceil \log(n!) \rceil$ مقایسه کلیدها را انجام دهد.

- اگر m تعداد برگ‌ها در یک درخت دودویی و d عمق آن باشد آنگاه $d \geq \lceil \log m \rceil$.

- الگوریتم مرتب‌سازی شمارشی یک الگوریتم مبتنی بر مقایسه است که در بدترین وضعیت از مرتبه $O(n)$ است.

(۱) صفر (۲) ۱

(۳) ۲ (۴) ۳

۶۴- هر الگوریتم قطعی که بتواند بزرگ‌ترین کلید دوم (دومین بزرگ‌ترین کلید) را در هر ورودی ممکن، تنها با مقایسه کلیدها بیابد، باید در بدترین حالت، حداقل چند مقایسه انجام دهد؟ (تعداد عناصر برابر n است).

(۱) $n + \lceil \log n \rceil - 1$

(۲) $n + \lceil \log n \rceil - 2$

(۳) $n + \lceil \log n \rceil + 2$

(۴) $2n + \lceil \log n \rceil$

۶۵- فرض کنید یک ساختار داده جدید به نام لیست اولویت‌دار پویا (Dynamic Priority List) دارید. این ساختار داده از لیستی از گره‌ها تشکیل شده است که هر گره دارای یک مقدار کلید و یک اولویت است. عمل‌های زیر، بر روی این ساختار داده تعریف شده‌اند:

– $\text{insert}(x, p)$: افزودن یک عنصر با کلید x و اولویت p به لیست

– $\text{Delete Max}()$: حذف گره‌ای که دارای بیشترین اولویت است. اگر چند گره دارای اولویت یکسان باشند، اولین گره از سمت چپ حذف می‌شود.

– $\text{Find Median}()$: یافتن مقدار میانه از بین تمامی کلیدهای موجود در لیست

– $\text{Increase Priority}(x, k)$: افزایش اولویت عنصر با کلید x به اندازه k

هرکدام از این عملیات باید در کمترین پیچیدگی زمانی ممکن انجام شوند. حال، کدام یک از روش‌های زیر مناسب‌ترین ساختار داده ترکیبی برای پیاده‌سازی لیست اولویت‌دار پویا است، به گونه‌ای که همه عملیات با پیچیدگی بهینه انجام شوند؟

(۱) استفاده از یک پشته و یک صف به صورت هم‌زمان برای مدیریت ترتیب ورود و خروج عناصر و اولویت آنها

(۲) ترکیب یک درخت فیبوناچی (Fibonacci Heap) و یک لیست پیوندی ساده برای مدیریت عناصر و اولویت‌ها

(۳) ترکیب یک هرم دوتایی (Double-ended Heap) برای مدیریت اولویت‌ها و یک ساختار داده مرتب برای دسترسی سریع به میانه

(۴) ترکیب یک درخت جستجوی دودویی متوازن (Balanced Binary Search Tree) برای ذخیره اولویت‌ها و یک جدول درهم‌سازی (Hash Table) برای دسترسی سریع به عناصر

۶۶- در دو الگوریتم مرتب‌سازی سریع (Quick Sort) و مرتب‌سازی ادغامی (Merge Sort)، تعداد مقایسه‌ها و جابه‌جایی‌ها متفاوت است. کدام گزاره زیر، درباره این تفاوت‌ها درست است؟

(۱) همواره، تعداد مقایسه‌ها در هر دو الگوریتم برابر است، اما مرتب‌سازی سریع، تعداد جابه‌جایی‌های بیشتری دارد.

(۲) همواره، مرتب‌سازی ادغامی، تعداد مقایسه‌های کمتری نسبت به مرتب‌سازی سریع دارد و تعداد جابه‌جایی‌های آن نیز کمتر است.

(۳) در حالت میانگین، مرتب‌سازی سریع، تعداد مقایسه‌های بیشتری نسبت به مرتب‌سازی ادغامی دارد و تعداد جابه‌جایی‌های آن کمتر است.

(۴) در حالت میانگین، مرتب‌سازی سریع، تعداد مقایسه‌های برابری با مرتب‌سازی ادغامی دارد، اما مقدار جابه‌جایی‌های آن بیشتر است.

۶۷- فرض کنید یک لیست پیوندی یک‌طرفه از n گره داریم و شما می‌خواهید گره‌ای را که در موقعیت $\frac{3}{4}n$ قرار گرفته پیدا کنید اما مقدار n را نمی‌دانیم. فرض کنید n مضربی از ۴ است. کدام یک از گزینه‌ها ما را به نتیجه نمی‌رساند؟

(۱) ابتدا طول لیست را به طور کامل محاسبه کنید، سپس به اندازه $\frac{3n}{4}$ از ابتدا به جلو حرکت کنید تا گره موردنظر را پیدا کنید.

(۲) با دو اشاره‌گر که یکی از ابتدا با سرعت سه گره و یکی از انتها (پس از پیدا کردن گره انتهایی) با سرعت یک گره حرکت کنند و در لحظه رسیدن به هم، نتیجه حاصل خواهد شد.

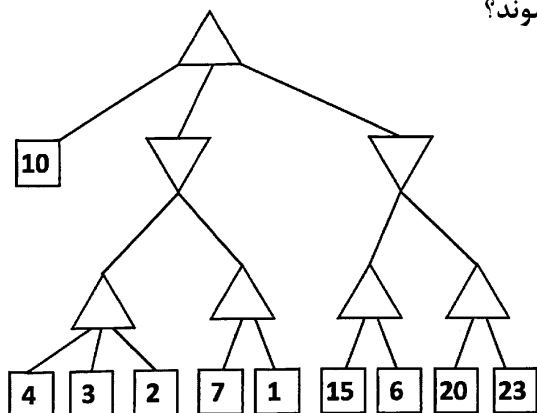
(۳) ابتدا طول لیست را به طور کامل محاسبه کنید، از دو اشاره‌گر استفاده کنید. یکی را در ابتدای لیست و دیگری را در گره $\frac{n}{4}$ تنظیم کنید. با سرعت یک گره حرکت کنید تا گره جلوتر به انتها برسد تا به هدف برسیم.

(۴) با دو اشاره‌گر که یکی با سرعت یک گره و دیگری به سرعت دو گره حرکت می‌کند، به نیمه می‌رسیم. یک گره جلو برویم و اشاره‌گر دوم که به انتها رسیده را مجدد برابر اشاره‌گر اول قرار خواهیم داد تا مجدد عمل انجام شود و نتیجه حاصل شود.

۶۸- کدام گزاره درست است؟

- ۱) مرتبه زمانی الگوریتم Iterative Deepening Search به دلیل تکرارهای متعدد، بیشتر از BFS است.
- ۲) مرتبه زمانی الگوریتم Iterative Deepening Search به دلیل تکرارهای متعدد، بیشتر از DFS است.
- ۳) مرتبه مصرف حافظه الگوریتم Iterative Deepening Search مانند BFS است، اما برخلاف BFS، جستجو با این الگوریتم کامل است.
- ۴) مرتبه مصرف حافظه الگوریتم Iterative Deepening Search مانند DFS است، اما برخلاف DFS، جستجو با این الگوریتم کامل است.

۶۹- درخت جستجوی زیر را در نظر بگیرید. در جستجوی خصمانه (رقابتی) با هرس آلفا بتا در این درخت، برخی از شاخه‌ها هرس خواهند شد. مقادیر گره‌های ۴ و ۱۵ در چه بازه‌ای قابل تغییر هستند، به گونه‌ای که شاخه‌های هرس شده هیچ تغییری نکنند و همچنان همان شاخه‌ها هرس شوند؟



- ۱) گره ۴ بازه $(-\infty, 10]$ و گره ۱۵ بازه $[10, 20]$
- ۲) گره ۴ بازه $(-\infty, 10]$ و گره ۱۵ بازه $(10, \infty)$
- ۳) گره ۴ بازه $(3, 10]$ و گره ۱۵ بازه $(10, \infty)$
- ۴) گره ۴ بازه $(3, 10]$ و گره ۱۵ بازه $[10, 20]$

۷۰- جمله زیر را در منطق گزاره‌ای در نظر بگیرید. کدام مورد درست است؟ (بدیهی = همیشه درست = Tautology) (رزولوشن = Resolution)

$$[(A \Rightarrow C) \vee (B \Rightarrow C)] \Rightarrow [(A \vee B) \Rightarrow C]$$

- ۱) با استفاده از روش رزولوشن در کنار استفاده از جدول درستی (Truth Table)، می‌توان بدیهی بودن جمله را نشان داد.
- ۲) با استفاده از روش رزولوشن، نمی‌توان راجع به بدیهی بودن/ نبودن این جمله نتیجه‌ای گرفت.
- ۳) با استفاده از روش رزولوشن، می‌توان بدیهی نبودن این جمله را نشان داد.
- ۴) با استفاده از روش رزولوشن، می‌توان بدیهی بودن این جمله را نشان داد.

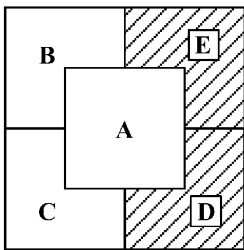
۷۱- کدام گزاره درست است؟

- ۱) اگر تابع هیوریستیک h سازگار (Consistent) باشد، آنگاه مقادیر $f(n)$ در مسیر بهینه از ریشه تا هدف غیرنزولی است و در سایر مسیرها ممکن است صعودی یا نزولی باشد.
- ۲) با فرض نامنفی بودن مقادیر توابع هیوریستیک، زمان اجرای حاصل از تابع هیوریستیک صفر $(h(n) = 0)$ در الگوریتم A^* ، از هیچ تابع هیوریستیک دیگری کمتر نیست.
- ۳) اگر تابع هیوریستیک h سازگار (Consistent) باشد، هم جستجوی درختی و هم جستجوی گرافی A^* بهینه خواهد بود.
- ۴) اگر تابع هیوریستیک h قابل قبول (Admissible) باشد، جستجوی گرافی A^* بهینه خواهد بود.

۷۲- از دو الگوریتم تپه‌نوردی استاندارد و پرتو محلی (local beam search)، برای حل یک مسئله استفاده می‌کنیم. کدام مورد درست است؟

- (۱) در صورتی که الگوریتم تپه‌نوردی به جواب بهینه سراسری برسد و حالت اولیه الگوریتم تپه‌نوردی یکی از k جواب اولیه الگوریتم پرتو محلی باشد، الگوریتم پرتو محلی نیز حتماً به بهینه سراسری خواهد رسید.
- (۲) در صورتی که الگوریتم پرتو محلی به جواب بهینه سراسری برسد و حالت اولیه الگوریتم تپه‌نوردی یکی از k جواب اولیه الگوریتم پرتو محلی باشد، الگوریتم تپه‌نوردی نیز حتماً به بهینه سراسری خواهد رسید.
- (۳) هر دو الگوریتم ممکن است در بهینه محلی (local) گیر کنند.
- (۴) موارد ۱ و ۳

۷۳- در مسئله CSP زیر (مسئله رنگ‌آمیزی نقشه)، خانه‌های E و D با رنگ‌های زرد $D =$ ، قرمز $E =$ رنگ شده‌اند. کدام گزاره درست است؟



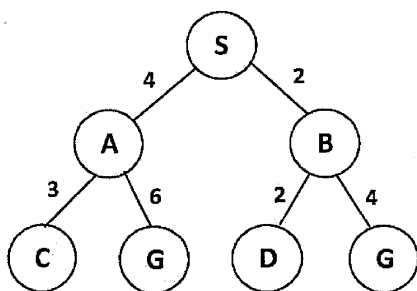
(۱) با استفاده از هیوریستیک Degree، متغیر A یا B یا C به‌عنوان متغیر بعدی انتخاب خواهد شد (بدون ترجیح یکی بر دیگری).

(۲) با استفاده از هیوریستیک MRV، متغیر B یا C به‌عنوان متغیر بعدی انتخاب خواهد شد (بدون ترجیح یکی بر دیگری).

(۳) با استفاده از هیوریستیک Degree، متغیر A به‌عنوان متغیر بعدی انتخاب خواهد شد.

(۴) با استفاده از هیوریستیک LCV، متغیر A به‌عنوان متغیر بعدی انتخاب خواهد شد.

۷۴- در مسئله جستجوی زیر، دو تابع هیوریستیک h_1 و h_2 مفروض است. کدام مورد، ویژگی‌های این دو تابع را نشان می‌دهد؟ (قابل قبول = Admissible، سازگار = Consistent)



گره	h_1	h_2
S	5	5
A	3	6
B	3	3
C	1	3
D	1	6
G	0	0

- (۱) h_1 قابل قبول است، اما سازگار نیست.
- (۲) h_2 قابل قبول است، اما سازگار نیست.
- (۳) h_1 قابل قبول نیست، اما سازگار است.
- (۴) h_2 هم قابل قبول و هم سازگار است.

۷۵- یک مسئله ارضای محدودیت‌ها (CSP) با چهار متغیر X, Y, Z, W تعریف شده است. دامنه مقادیر هر متغیر، به صورت زیر است:

$$D(X) = \{1, 2, 3\}, D(Y) = \{1, 2, 3, 4\}, D(Z) = \{1, 2, 3\}, D(W) = \{2, 3\}$$

محدودیت‌های مسئله، عبارتند از:

$$X \neq Y$$

$$Z = W$$

$$X + W \leq 4$$

$$Z \neq 3$$

پس از اعمال الگوریتم حذف مقادیر ناسازگار (Arc Consistency)، کدام مورد زیر، دامنه‌های به‌روزرسانی‌شده را نشان می‌دهد؟

$$(1) D(X) = \{1, 2\}, D(Y) = \{1, 2, 3\}, D(Z) = \{2\}, D(W) = \{2\}$$

$$(2) D(X) = \{1, 2\}, D(Y) = \{1, 2, 3, 4\}, D(Z) = \{2\}, D(W) = \{2\}$$

$$(3) D(X) = \{1, 2, 3\}, D(Y) = \{1, 2, 3, 4\}, D(Z) = \{2\}, D(W) = \{2\}$$

$$(4) D(X) = \{1, 2, 3\}, D(Y) = \{2, 3, 4\}, D(Z) = \{1, 2\}, D(W) = \{2\}$$

مجموعه دروس تخصصی ۳ (مدار منطقی، معماری کامپیوتر و الکترونیک دیجیتال):

۷۶- اگر فقط دروازه‌های NAND دو ورودی در دسترس داشته باشیم، برای پیاده‌سازی تابع $AB + CD + EF + GH$ چند دروازه نیاز است؟

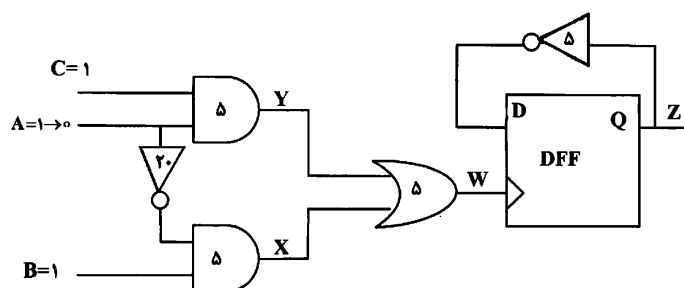
۷ (۴)

۸ (۳)

۹ (۲)

۱۰ (۱)

۷۷- در مدار زیر، ورودی A در لحظه صفر از مقدار یک به مقدار صفر تغییر می‌کند. تأخیر گیت‌ها درون آنها نوشته شده و فرض می‌کنیم فلیپ‌فلاپ که با لبه بالارونده پالس ساعت کار می‌کند، هیچ تأخیری ندارد. اگر خروجی Z در ابتدا صفر باشد، در چه زمانی یک می‌شود؟



۱۰ (۱)

۱۵ (۲)

۳۰ (۳)

۳۵ (۴)

۷۸- اگر در جدول حالت زیر، حالت‌های معادل را حذف کنیم، چند حالت باقی می‌ماند؟

۴ (۱)

۵ (۲)

۶ (۳)

۷ (۴)

حالت فعلی	حالت بعدی		خروجی	
	$x = 0$	$x = 1$	$x = 0$	$x = 1$
a	f	b	0	0
b	d	c	0	0
c	f	e	0	0
d	g	a	1	0
e	d	c	0	0
f	f	b	1	1
g	g	h	0	1
h	g	a	1	0

۷۹- کمترین تعداد گیت AND که مخاطره پنهان در تابع زیر (که به صورت مجموع حاصل ضرب‌ها پیاده‌سازی می‌شود)

$$F(a, b, c, d, e) = bc'e' + a'cd'e + bcd'e + a'b'c'd + ab'de$$

را از بین می‌برد، چند عدد است؟

(۱) ۲

(۲) ۱

(۳) ۴

(۴) ۳

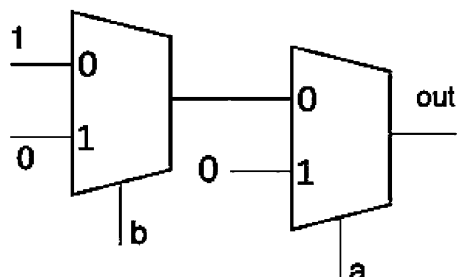
۸۰- مدار زیر، چه تابعی را پیاده‌سازی می‌کند؟

(۱) XNOR

(۲) XOR

(۳) NAND

(۴) NOR



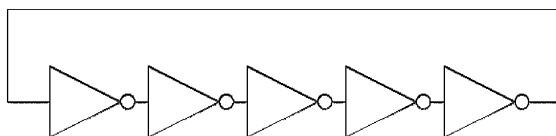
۸۱- فرکانس نوسان نوسانگر حلقه‌ای زیر، چند مگاهرتز است؟ (فرض کنید تأخیر هر معکوس‌کننده، ۵ نانوثانیه (ns) است.)

(۱) ۵

(۲) ۱۰

(۳) ۲۰

(۴) ۴۰



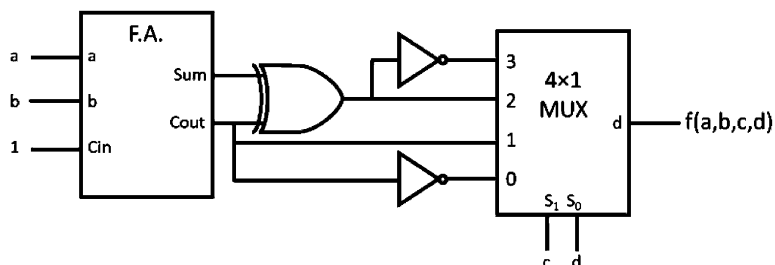
۸۲- کدام مورد، خروجی مدار زیر را به صورت حاصل ضرب ماکسترم‌ها به نحو درست نشان می‌دهد؟

(۱) ۰, ۲, ۵, ۶, ۹, ۱۰, ۱۳, ۱۵

(۲) ۰, ۲, ۵, ۶, ۹, ۱۱, ۱۲, ۱۵

(۳) ۱, ۳, ۵, ۷, ۹, ۱۰, ۱۳, ۱۵

(۴) ۱, ۳, ۴, ۷, ۸, ۱۱, ۱۲, ۱۴



۸۳- در یک کامپیوتر دارای ۱۶ ثبات عام‌منظوره و گذرگاه آدرس ۱۰ بیتی، قالب دستورالعمل‌ها ۲۴ بیتی است. چنانچه

۲۵۶ دستور تک‌آدرسی از نوع حافظه‌ای مستقیم و ۱۰۲۴ دستور تک‌آدرسی ثباتی مستقیم و غیرمستقیم باشد،

حداکثر چند دستور دو آدرسی که یکی آدرس حافظه و دیگری ثبات باشد، می‌توان داشت؟

(۱) ۵۱۲

(۲) ۱۰۰۷

(۳) ۱۰۲۴

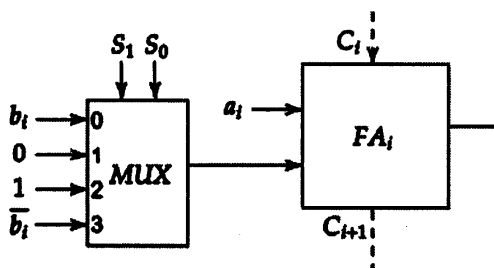
(۴) ۱۰۶۴

۸۴- فرض کنید که در یک پردازنده برای اجرای پایپ لاین دستورات از پنج مرحله واکنشی دستور (IF)، به دست آوردن عملوندها (ID)، اجرا در ALU (EX)، مراجعه به حافظه (DM) و نوشتن نتایج در ثبات مقصد (WB) استفاده می شود و هیچ گونه امکان رفع وابستگی (hazard) به صورت نرم افزاری و یا forwarding وجود نداشته باشد. هر مرحله در یک پالس ساعت انجام می شود. در صورت وجود وابستگی، به کمک اضافه کردن تأخیر (Stall) رفع می شود. برای اجرای دستورات زیر، به چند پالس ساعت نیاز است؟ (عملیات ثباتی در دستورات، از راست به چپ است.)

```
ADD R1, R2, R3
SUB R4, R1, R2
AND R5, R2, R1
```

- (۱) ۸
(۲) ۹
(۳) ۱۰
(۴) ۱۱

۸۵- شکل زیر جزء i ام یک واحد حسابی (Arithmetic Unit) n بیتی است که عملکرد آن با خطوط $S_1 S_0$ براساس ورودی های n بیتی A و B و تک بیت کنترل C_{in} می شود. FA_i یک تمام افزا (Full adder) است. اگر $S_1 = 1$ ، کدام حالت مربوط به عملکرد این واحد حسابی است؟



S_1	S_0	C_{in}	F
1	0	0	A-1
1	0	1	A
1	1	0	A-B-1
1	1	1	A-B+1

(۲)

S_1	S_0	C_{in}	F
1	0	0	A-1
1	0	1	A
1	1	0	A-B-1
1	1	1	A-B

(۱)

S_1	S_0	C_{in}	F
1	0	0	A
1	0	1	A+1
1	1	0	A-B
1	1	1	A-B+1

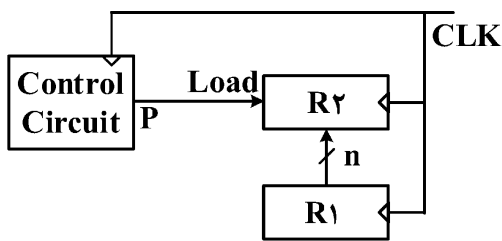
(۴)

S_1	S_0	C_{in}	F
1	0	0	A
1	0	1	A-1
1	1	0	A-B-1
1	1	1	A-B

(۳)

۸۶- در یک سامانه پردازشی، ۴۰٪ زمان برای دسترسی به حافظه RAM و ۳۰٪ زمان برای دسترسی به هارد دیسک صرف می شود. اگر سرعت دسترسی به حافظه RAM و دیسک را به ترتیب دو و سه برابر کنیم، تسریع چقدر می شود؟

- (۱) ۱/۳۳
(۲) ۱/۵
(۳) ۱/۶۶
(۴) ۲/۵



۸۷- کد معادل با معماری زیر، در زبان RTL چیست؟

(۱) $CLK: R_2 \leftarrow R_1$

(۲) $CLK: R_1 \leftarrow R_2$

(۳) $P: R_1 \leftarrow R_2$

(۴) $P: R_2 \leftarrow R_1$

۸۸- حافظه نهان مجموعه انجمنی ۲ تایی که اندازه هر مجموعه ۲ بلوک و اندازه هر بلوک ۴ کلمه و از الگوریتم جایگزینی LRU بهره می برد، مفروض است. چنانچه اندازه حافظه نهان ۱۶ کلمه باشد، نرخ موفقیت پس از انجام

درخواست های کلمات زیر، به ترتیب از چپ به راست چیست؟

۲۲-۹-۱۱-۳۱-۳۰-۸-۷۶-۱۸-۲۰-۲۳-۷۸-۷۹-۷۷-۰۸-۱۰-۳۰-۷۶-۸-۳۰-۳۱-۱۱-۹-۲۲

(۲) $\frac{11}{20}$

(۴) $\frac{9}{20}$

(۱) $\frac{12}{20}$

(۳) $\frac{10}{20}$

۸۹- تکه کد زیر، مربوط به کدام معماری است؟

Push A

push B

Add

Pop C

(۲) مبتنی بر انباشتگر

(۴) مبتنی بر ثبات - ثبات / بارگذاری - ذخیره سازی

(۱) مبتنی بر پشته

(۳) مبتنی بر ثبات - حافظه

۹۰- در یک وارون گر CMOS، نسبت تقریبی $\frac{(W/L)_{PMOS}}{(W/L)_{NMOS}}$ را چه مقدار تعیین کنیم تا به ازای ولتاژ ورودی ۱/۵

ولت، جریان ایستا (اتصال کوتاه) حداکثر شود؟

$$\left[V_{DD} = 3.0V, V_{tn} = 0.3V, V_{tp} = -0.5V, K'_n = 2K'_p, \beta = K' \cdot \frac{W}{L} \right]$$

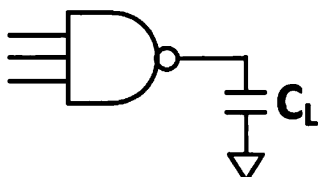
(۱) ۰/۵

(۲) ۱/۰

(۳) ۱/۴

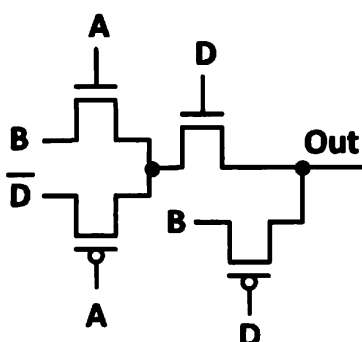
(۴) ۲/۹

۹۱- اگر W همه ترانزیستورهای گیت NAND سه ورودی نمایش داده شده دو برابر شود، بیشترین تأخیر بالارونده خروجی این گیت، طبق مدل المور چگونه تغییر می کند؟ (فرض کنید C_L نشان دهنده خازن ناشی از ورودی گیت های طبقه بعد باشد که ابعاد ترانزیستورهای آن ثابت باقی می ماند.)



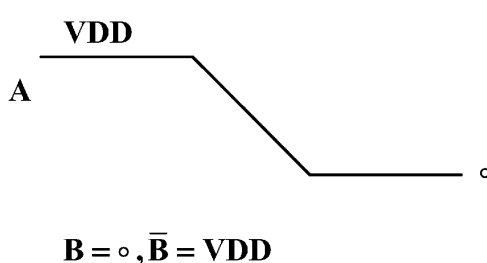
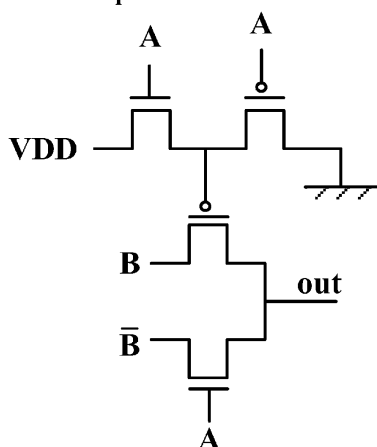
- (۱) بسته به ابعاد اولیه ترانزیستورها، ممکن است تأخیر از نصف مقدار اولیه بزرگ تر یا کوچک تر شود.
- (۲) تأخیر کاهش می یابد، اما از نصف تأخیر اولیه بزرگ تر خواهد بود.
- (۳) تأخیر کاهش می یابد و از نصف تأخیر اولیه کوچک تر خواهد بود.
- (۴) تأخیر تغییری نمی کند.

۹۲- ساختار ترانزیستوری زیر، چه تابع منطقی را پیاده سازی می کند؟



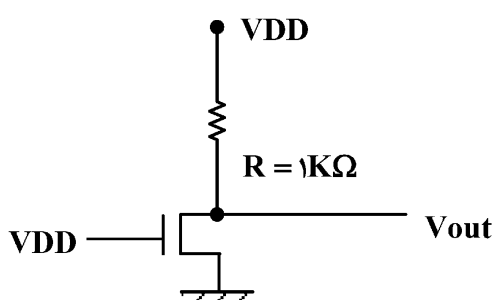
- (۱) $out = B$
- (۲) $out = DB + DA$
- (۳) $out = B(\bar{D} + AD)$
- (۴) $out = DAB + D(B + A\bar{D})$

۹۳- فرض کنید ورودی های A و B و \bar{B} به صورت شکل زیر تغییر کنند. ولتاژ نهایی گره out چه مقداری می شود؟ (فرض کنید ولتاژ آستانه تمامی ترانزیستورهای NMOS برابر V_{tn} و ولتاژ آستانه تمامی ترانزیستورهای PMOS برابر V_{tp} باشد.)



- (۱) $V_{tn} + |V_{tp}|$
- (۲) $2|V_{tp}|$
- (۳) $|V_{tp}|$
- (۴) صفر

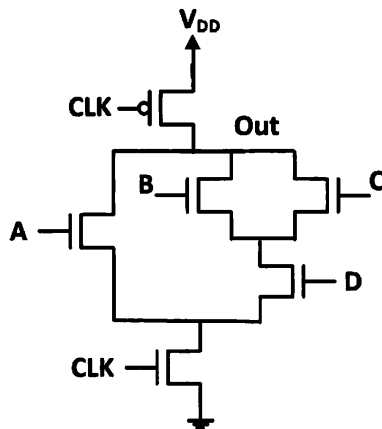
۹۴- در وارون گر NMOS شکل زیر، مقدار تقریبی $\frac{W}{L}$ ترانزیستور چقدر باید باشد تا خروجی برابر $V_{out} = 0.1V$



شود؟ $\left[VDD = 3.3V, V_{tn} = 0.3V, K'_n = 1 \frac{mA}{V^2} \right]$

- (۱) ۳/۲
- (۲) ۵/۳
- (۳) ۶/۴
- (۴) ۱۰/۷

۹۵- اعمال کدام یک از ورودی‌های زیر (A, B, C, D) می‌تواند منجر به افت ناخواسته ولتاژ خروجی (ولتاژ گره out) ناشی از انتشار بار در فاز ارزیابی (Evaluate) شود؟ (فرض کنید ورودی‌ها در لبه بالارونده کلاک تغییر می‌کنند).



(۱) (۰, ۱, ۱, ۰)

(۲) (۰, ۰, ۰, ۱)

(۳) (۱, ۱, ۰, ۰)

(۴) تفاوتی بین موارد فوق وجود ندارد.

مجموعه دروس تخصصی ۴ (سیستم‌های عامل، شبکه‌های کامپیوتری و پایگاه داده‌ها):

۹۶- هدف اصلی از مکانیزم حالت دوگانه (Dual Mode)، حفاظت از کدام مورد است و در کجا پیاده‌سازی شده است؟

(۱) امنیت سیستم در برابر فرایندهای هک شده - پردازنده

(۲) سایر فرایندها در برابر فرایند مخرب - سیستم عامل

(۳) منابع سیستم در برابر عملکرد مخرب فرایندها - پردازنده

(۴) سیستم عامل در برابر عملکرد مخرب فرایندها - سیستم عامل

۹۷- چهار فرایند مشابه نیاز به ۲۰ms پردازش دارند که اجرای آنها به صورت ۵ms پردازش و ۵ms انتظار برای تکمیل IO است. اگر سربار تعویض زمینه صفر باشد، اجرای دسته‌ای (batch) این فرایندها روی یک پردازنده

دو هسته‌ای (dual core) چند ms طول می‌کشد؟

(۴) ۲۵

(۳) ۴۰

(۲) ۵۰

(۱) ۸۰

۹۸- کدام مورد، در خصوص همروندی (concurrency) درست است؟

(۱) همروندی، لازمه داشتن چندبرنامگی است.

(۲) چندوظیفگی (multitasking)، یک نوع همروندی است.

(۳) چندبرنامگی (multiprogramming)، همان همروندی است.

(۴) چندریسمانی (multithreading)، یک نوع همروندی است.

۹۹- در یک سیستم عامل ۳ فرایند در حافظه بارگذاری شده است. فرایند اول دارای ۲ ریسمان هسته‌ای، فرایند دوم دارای

یک ریسمان هسته و ۲ ریسمان کاربری و فرایند سوم دارای ۲ ریسمان سطح کاربری است. در هسته این سیستم عامل،

چند ریسمان برای این سه فرایند وجود دارد؟ (نگاشت چند به یک، حالت پیش فرض است.)

(۴) ۴

(۳) ۵

(۲) ۶

(۱) ۸

۱۰۰- مانیتور (monitor) در همگام‌سازی ریسمان‌ها به چه مفهومی است؟

(۱) یک مکانیزم همگام‌سازی سطح بالا است که دو ساختار داده مجزا برای انحصار متقابل و متغیرهای شرطی تعریف می‌کند.

(۲) یک مکانیزم انحصار متقابل است که بر استفاده از دستورات سخت‌افزاری و انتظار فعال (busy wating) تأکید دارد.

(۳) یک مکانیزم همگام‌سازی سطح بالا است که انحصار متقابل و متغیرهای شرطی را در یک ساختار داده ادغام می‌کند.

(۴) یک ریسمان خاص برای پایش و نظارت وضعیت همگامی سایر ریسمان‌ها است.

- ۱۰۱- کدام روش زمان‌بندی، از نوع تقدم اکید و غیرقبضه‌ای (non preemptive) است؟
 (۱) کوتاه‌ترین کار (Shortest Job First) (۲) صف (FIFO)
 (۳) نوبتی چرخشی (Round Robin) (۴) نرخ یکنواخت (Rate Monotonic)
- ۱۰۲- کدام مورد درست است؟
 (۱) اگر در یک سیستم، بهره‌وری پردازنده ۱۵٪ و دیسک ۹۷٪ باشد این سیستم قطعاً دچار کوبیدگی (thrashing) شده است.
 (۲) زمانی که یک فرایند در حال اجرای یک تابع بازگشتی است، مجموعه کاری (working set) می‌تواند بدون تغییر بماند.
 (۳) روش مدیریت حافظه سگمنت کردن (Segmentation)، ممکن است دچار کوبیدگی (thrashing) شود.
 (۴) روش LFU (least frequently used) می‌تواند دچار بدرفتاری بیلیدی (Belady Anomaly) شود.
- ۱۰۳- در IPv4، اگر اندازه یک بسته IP برابر ۲۰۰۰ بایت و MTU لینکی که بسته قرار است روی آن ارسال شود، برابر ۱۵۰۰ بایت و بیت D در سرآیند (header) این بسته IP صفر باشد، چه اتفاقی برای بسته پیش خواهد آمد؟
 (۱) بسته دور انداخته می‌شود و یک پیغام خطای ICMP برای مبدأ ارسال خواهد شد.
 (۲) بسته دور انداخته می‌شود، بدون آنکه هیچ‌گونه پیغام خطای ICMP برای مبدأ ارسال شود.
 (۳) بسته به ۲ قطعه (Fragment) تقسیم می‌شود، بدون آنکه هیچ‌گونه پیغام خطای ICMP برای مبدأ ارسال شود.
 (۴) بسته به ۲ قطعه (Fragment) تقسیم می‌شود و قطعات به دنبال هم به سمت مقصد، در یک مسیر یکسان حرکت خواهند کرد.
- ۱۰۴- کدام مورد، در خصوص مزیت اصلی پروتکل مسیریابی OSPF نسبت به پروتکل مسیریابی RIP درست است؟
 (۱) ادغام مسیریابی داخل AS و بین ASها
 (۲) پشتیبانی از مدیریت سلسله‌مراتبی یک AS بزرگ
 (۳) امکان تعویض پویا میان حالت زیرساخت و حالت بدون زیرساخت
 (۴) امکان تعویض پویا میان رویکردهای بردار فاصله (distance vector) و وضعیت پیوند (link state)
- ۱۰۵- در کدام مورد، همه پروتکل‌ها از قابلیت ذخیره‌سازی موقت (cache) اطلاعات وضعیت استفاده می‌کنند؟
 (۱) ARP، OSPF و QUIC
 (۲) TCP، BGP و HTTP
 (۳) UDP، DNS، WWW/HTTP
 (۴) BGP و DNS، WWW/HTTP
- ۱۰۶- چنانچه در پروتکل TCP مقدار متغیر ssthresh (آستانه slow start) برابر ۸ باشد و هیچ رویداد انقضای زمان‌سنج یا دریافت ACK ۳ تکراری رخ ندهد، اندازه cwnd (پنجره ازدحام) در دوره ششم ارسال، چند است؟
 (۱) ۳۴
 (۲) ۳۲
 (۳) ۱۰
 (۴) ۶
- ۱۰۷- کدام مورد نادرست است؟
 (۱) پیغام‌های ICMP از نوع source quench با اعلام وقوع ازدحام در صف لایه حمل‌گره مقصد، منجر به کاهش نرخ ارسال بسته‌ها از مبدأ می‌شوند.
 (۲) Ping مبتنی بر پیام‌های ICMP از نوع Echo Request و Echo Reply عمل می‌کند.
 (۳) ping و traceroute، هر دو مبتنی بر پروتکل ICMP عمل می‌کنند.
 (۴) بسته‌های ICMP، مستقیماً داخل بسته‌های IP کپسوله می‌شوند.

- ۱۰۸- در لایه پیوند داده (Data Link Layer)، مکانیسم‌های کنترل دسترسی به رسانه (MAC) به‌طور مستقیم بر بهره‌وری شبکه و کیفیت ارتباطات تأثیر می‌گذارند. با توجه به این موضوع، کدام مورد به‌درستی روش‌های دسترسی به رسانه در این لایه را توصیف می‌کند؟
- (۱) در پروتکل CSMA/CD، بسته‌ها بلافاصله پس از شناسایی برخورد مجدداً ارسال می‌شوند تا از تأخیرهای طولانی جلوگیری شود.
- (۲) در پروتکل CSMA/CD، بسته‌ها بلافاصله پس از شناسایی برخورد مجدداً ارسال می‌شوند تا از پهنای باند شبکه استفاده بهتری صورت پذیرد.
- (۳) پروتکل‌های مبتنی بر Token Passing، به دلیل قابلیت تطبیق‌پذیری بیشتر آنها، برای شبکه‌های بی‌سیم مناسب‌تر از شبکه‌های باسیم هستند.
- (۴) پروتکل‌های CSMA/CA، برای محیط‌های بی‌سیم مناسب‌تر از CSMA/CD هستند، زیرا به‌طور پیشگیرانه از وقوع برخورد اجتناب می‌کنند.

۱۰۹- جدول کتاب به‌صورت زیر، مفروض است. خروجی دستور SELECT چیست؟

```
Books (ISBN, bName, Price)
SELECT Price FROM Books
WHERE Price >= Avg(Price);
```

- (۱) کتاب‌هایی که قیمت آنها بیش از میانگین قیمت کتاب‌ها است.
- (۲) کل اطلاعات جدول را بازیابی می‌کند.
- (۳) میانگین قیمت کتاب‌ها
- (۴) خطا دارد.

۱۱۰- کدام مورد، نادرست است؟

- (۱) اگر جدولی 3NF باشد، حتماً BCNF هم است.
- (۲) اگر جدولی 3NF باشد، حتماً 2NF هم است.
- (۳) ممکن است یک جدول 3NF باشد، ولی شامل وابستگی‌های غیرکلیدی هم باشد.
- (۴) 3NF بودن، تضمینی برای حفظ وابستگی (Dependency Preservation) تابعی است.

۱۱۱- در طراحی بانک اطلاعاتی رابطه‌ای، کدام یک از معیارها مهم‌تر است؟

- (۱) رعایت شرط Loss - Less Join
- (۲) داشتن کلید اصلی در رابطه‌ها (Relations)
- (۳) حفظ وابستگی تابعی (Functional Dependency)
- (۴) کاهش در رابطه‌ها (Relations) و تعداد خصیصه‌ها (Attributes)

۱۱۲- با توجه به مجموعه وابستگی‌های تابعی داده‌شده برای $r(A, B, C, D, E, F)$ ، کدام مورد درست است؟

```
A → BCD
BC → DE
B → D
D → A
```

- (۱) A، کلید کاندیدا (candidate key) است.
- (۲) AF، ابرکلید (super key) است.
- (۳) B، صفت کلیدی است.
- (۴) D، صفت کلیدی است.

۱۱۳- با توجه به داده‌های جدول زیر، کدام وابستگی تابعی ممکن است وجود داشته باشد؟

A	B	C
a_1	b_1	c_1
a_1	b_1	c_2
a_2	b_1	c_1

$$A \rightarrow C \quad (۲)$$

$$B \rightarrow AC \quad (۴)$$

$$A \rightarrow B \quad (۱)$$

$$BC \rightarrow A \quad (۳)$$

۱۱۴- فرض کنید R دارای هشت (۸) صفت است که ترکیب سه صفت، کلید اصلی (اولیه) را تشکیل می‌دهند. تعداد سوپرکلیدهای رابطه کدام است؟

$$۴۰ \quad (۲)$$

$$۸ \quad (۴)$$

$$۲۵۶ \quad (۱)$$

$$۳۲ \quad (۳)$$

۱۱۵- هدف اصلی نرمال‌سازی در پایگاه داده رابطه‌ای، کدام است؟

(۲) فشرده‌سازی داده‌ها

(۴) کاهش افزونگی داده‌ها

(۱) ساده کردن طراحی پایگاه داده

(۳) افزایش کارایی پرس‌وجوها

